

OPTIONAL SENSING SWITCHES

All cylinders ordered with the MFC (Option No. 4) can be used in conjunction with Reed or Solid State switches for position sensing. Clamping bands are included with each switch ordered and are pre-sized for easy installation. Switches must be ordered separate from cylinders as an accessory item.

Reed Switches (AC or DC)

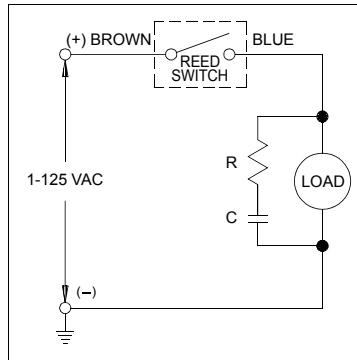
American's Reed Switches can be used on either AC or DC applications and are available with or without an LED indicator. In order to avoid premature contact deterioration, always operate within switch specifications listed below. Switch life can be maximized by implementing protection circuits as indicated.

SPECIFICATIONS

Non-LED Reed Switch

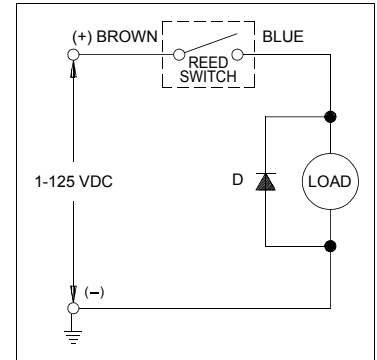
- Switching Logic.....Normally Open
- Contact Type.....Single Pole
Single Throw
- Contact Rating:
 - Power.....5 Watts
 - Voltage.....1 to 125V (AC or DC)
 - Switching Current.....1mA to 100mA
 - Breakdown Voltage.....250 Volts
- Ambient Temperature.....14°F to 140°F
- Indicator.....None
- Plain End Lead Wire.....39 in.
- Enclosure Rating.....IEC Standard IP67
- DC Polarity.....Pos. (brown)
Neg. (blue)

AC OPERATION



LOAD MUST NOT EXCEED 5 WATT SWITCH RATING
R = RESISTOR (Under 1k OHM)
C = CAPACITOR (0.01 Microfarad)

DC OPERATION

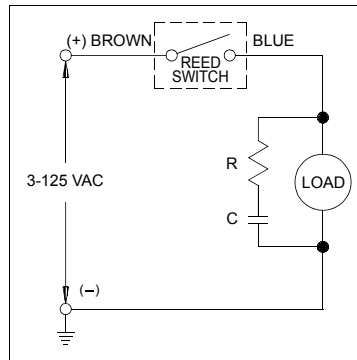


LOAD MUST NOT EXCEED 5 WATT SWITCH RATING
D = DIODE MATCHED TO LOAD VOLTAGE & CURRENT

LED Reed Switch

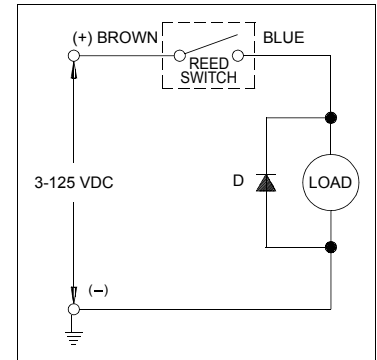
- Switching Logic.....Normally Open
- Contact Type.....Single Pole
Single Throw
- Contact Rating:
 - Power.....5 Watts
 - Voltage.....3 to 125V (AC or DC)
 - Switching Current.....10mA to 40mA
 - Breakdown Voltage.....250 Volts
- Ambient Temperature.....14°F to 140°F
- Indicator.....Red LED
- Plain End Lead Wire.....39 in.
- M8 Pigtail Connector.....6 in.
- Enclosure Rating.....IEC Standard IP67
- DC Polarity.....Pos. (brown)
Neg. (blue)

AC OPERATION



LOAD MUST NOT EXCEED 5 WATT SWITCH RATING
R = RESISTOR (Under 1k OHM)
C = CAPACITOR (0.01 Microfarad)

DC OPERATION



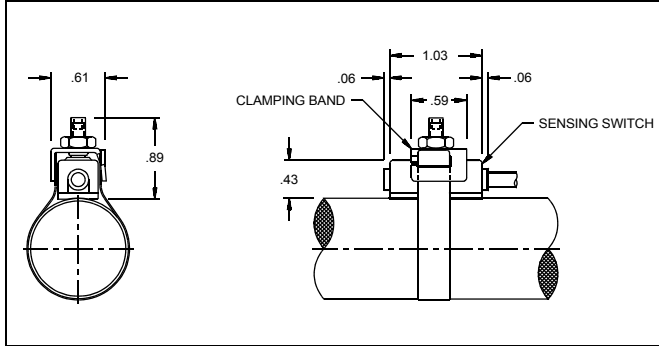
LOAD MUST NOT EXCEED 5 WATT SWITCH RATING
D = DIODE MATCHED TO LOAD VOLTAGE & CURRENT

Special Notes:

- All switches are pretested at the manufacturer.
- The use of an ohmmeter is recommended whenever field testing is required. Do not use an incandescent light bulb or any other testing device which may subject the switches to inrush loads beyond their ratings.
- Do not exceed 2.5 in.-lbs. tightening torque on lock nut.
- Use integral circuits as described to maximize Reed Switch life.
- The LED Switches require a minimum current flow of 10mA for LED illumination.
- Polarity must be observed in DC applications.
- Solid State Switches have DC capability only.

SWITCH DIMENSIONAL DATA

Std. Lead Wires w/Bands



Pigtail Connection Type w/Bands

